

THERMA-TRU[®] DOORS

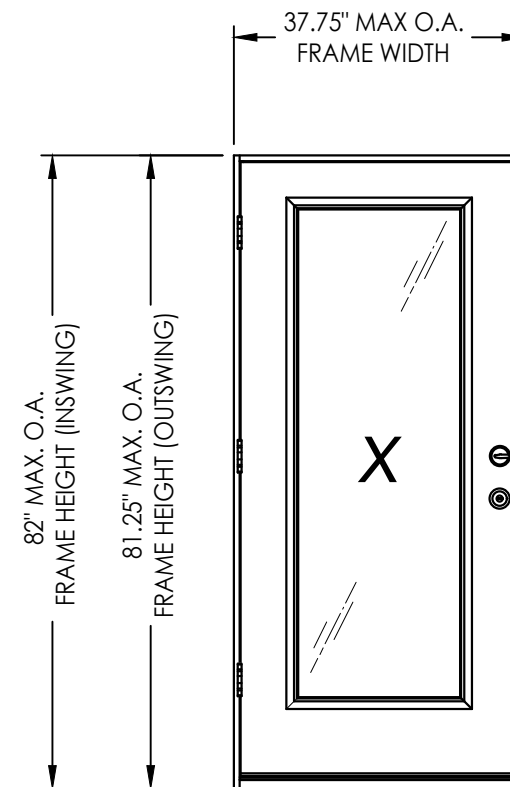
Fiber-Classic[®] & Smooth-Star[®]

WOOD EDGE GLAZED FIBERGLASS SINGLE DOOR IN SWING/OUT SWING "IMPACT"

GENERAL NOTES

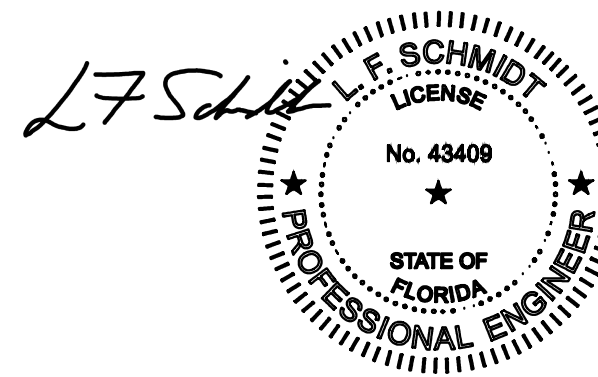
- This product has been evaluated and is in compliance with the 8th Edition (2023) Florida Building Code (FBC) structural requirements excluding the "High Velocity Hurricane Zone" (HVHZ).
- Product anchors shall be as listed and spaced as shown on details. Anchor embedment to base material shall be beyond wall dressing or stucco.
- When used in areas requiring wind borne debris protection this product complies with FBC Sections 1609.1.2 & R301.2.1.2 and does not require an impact resistant covering. This product meets missile level "D" and includes Wind Zone 4 as defined in ASTM E1996 and FBC Sections 1609.1.2.2 & R301.2.1.2.1.
- For 2x stud framing construction, anchoring of these units shall be the same as that shown for 2x buck masonry construction.
- Site conditions that deviate from the details of this drawing require further engineering analysis by a licensed engineer or registered architect.
- Fiber-Classic & Smooth-Star Door panel require the use of "J" part numbers and must be stained or painted within six months of installation.

| TABLE OF CONTENTS | |
|-------------------|--|
| SHEET# | DESCRIPTION |
| 1 | Typical Elevations, Design Pressures & General Notes |
| 2 | Door Panel Details |
| 3 | Elevations |
| 4 | Horizontal & Vertical Cross Sections (2X Buck) |
| 5 | Horizontal & Vertical Cross Sections (1X Buck) |
| 6 | Horizontal & Vertical Cross Sections (Direct to Masonry) |
| 7 | Vertical Cross Sections (Thresholds) |
| 8 | Buck & Frame Anchoring |
| 9 | Hardware Details |
| 10 | Glazing Details |
| 11 | Components |
| 12 | Components & Bill of Materials |



| CONFIGURATION | LOCK HARDWARE | DESIGN PRESSURE (PSF) INSWING | | DESIGN PRESSURE (PSF) OUTSWING | |
|---------------|------------------|-------------------------------|----------|--------------------------------|----------|
| | | POSITIVE | NEGATIVE | POSITIVE | NEGATIVE |
| X | Latch & Deadbolt | +47.0 | -53.0 | +50.0 | -50.0 |
| X | Multipoint | +50.0 | -50.0 | +50.0 | -50.0 |

See Sheet 3 for Hardware Specifications



This item has been digitally signed and sealed by L. F. Schmidt, P.E. on the date adjacent to the seal. Printed copies of this document are not considered signed and sealed and the signature must be verified on any electronic copies.

THIS PRODUCT APPROVAL IS VALID ONLY FOR THE STATE OF FLORIDA

Documents Prepared By:
Lyndon F. Schmidt
P.E. No. 43409

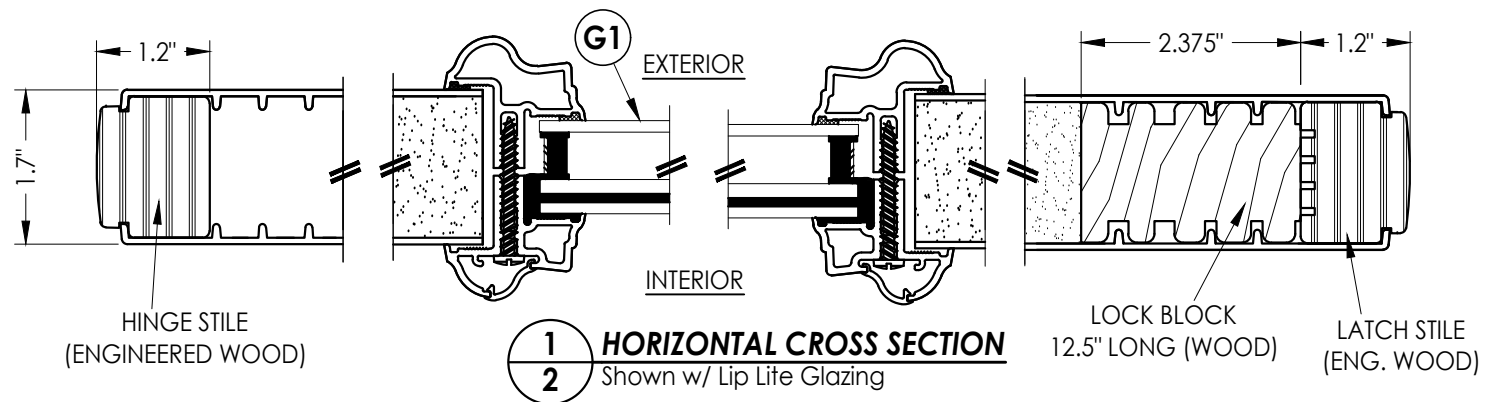
RW BUILDING CONSULTANTS, INC.
P.O. Box 230, Valrico, FL 33595
Phone No.: 813.659.9197
FBPE Registry No. 9813

PRODUCT: THERMA-TRU FIBERGLASS DOOR
PART OR ASSEMBLY: TYPICAL ELEVATION, DESIGN PRESSURES & GENERAL NOTES

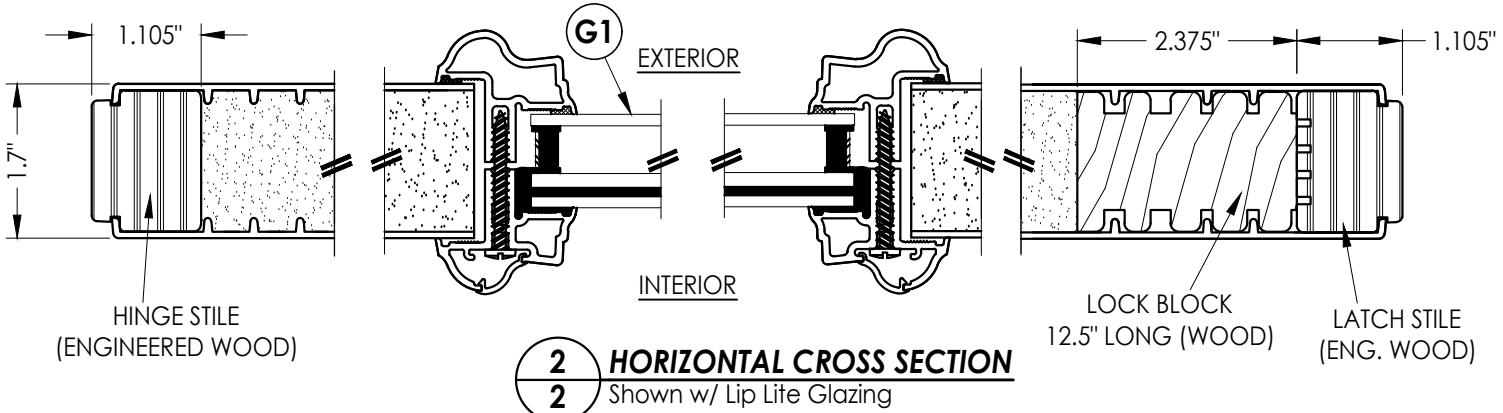
| NO. | DATE | REVISIONS |
|-----|----------|------------------------------|
| 4 | 8/22/23 | UPDATE TO 8TH ED. (2023) FBC |
| 3 | 7/15/20 | UPDATE TO 7th ED (2020) FBC |
| 2 | 10/09/18 | REV. DOOR PANEL OPTION NOTE |
| 1 | 11/15/17 | RECESSED PANEL NOTATION |

DATE: 12/19/16
SCALE: N.T.S.
DWG. BY: JK
CHK. BY: LFS
DRAWING NO.: FL-21138.7
SHEET 1 OF 12

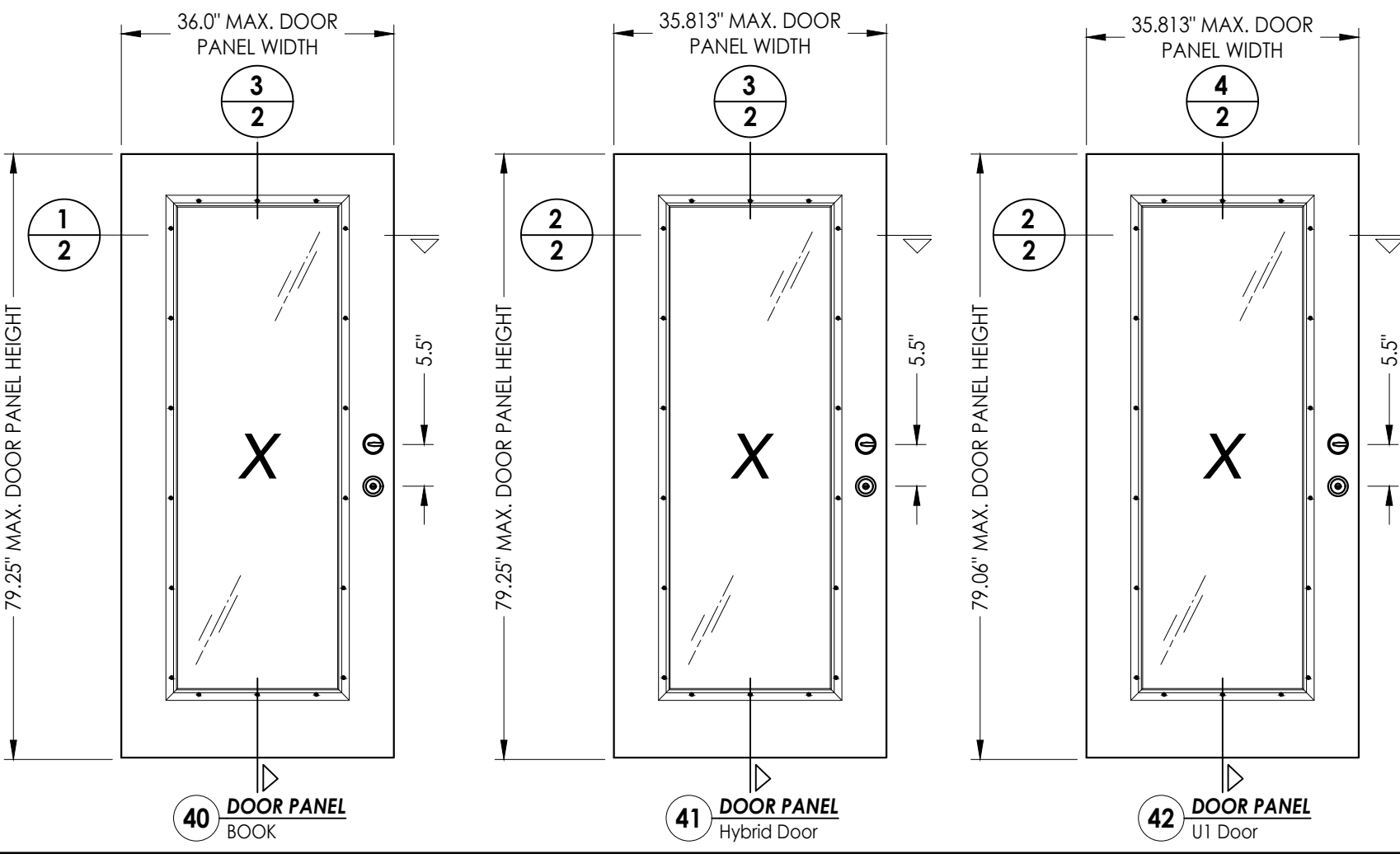
Z:\2023 FBC Drawings\Therma-Tru\FL-21138 R7\FL-21138.7-9.dwg



1 HORIZONTAL CROSS SECTION
2 Shown w/ Lip Lite Glazing



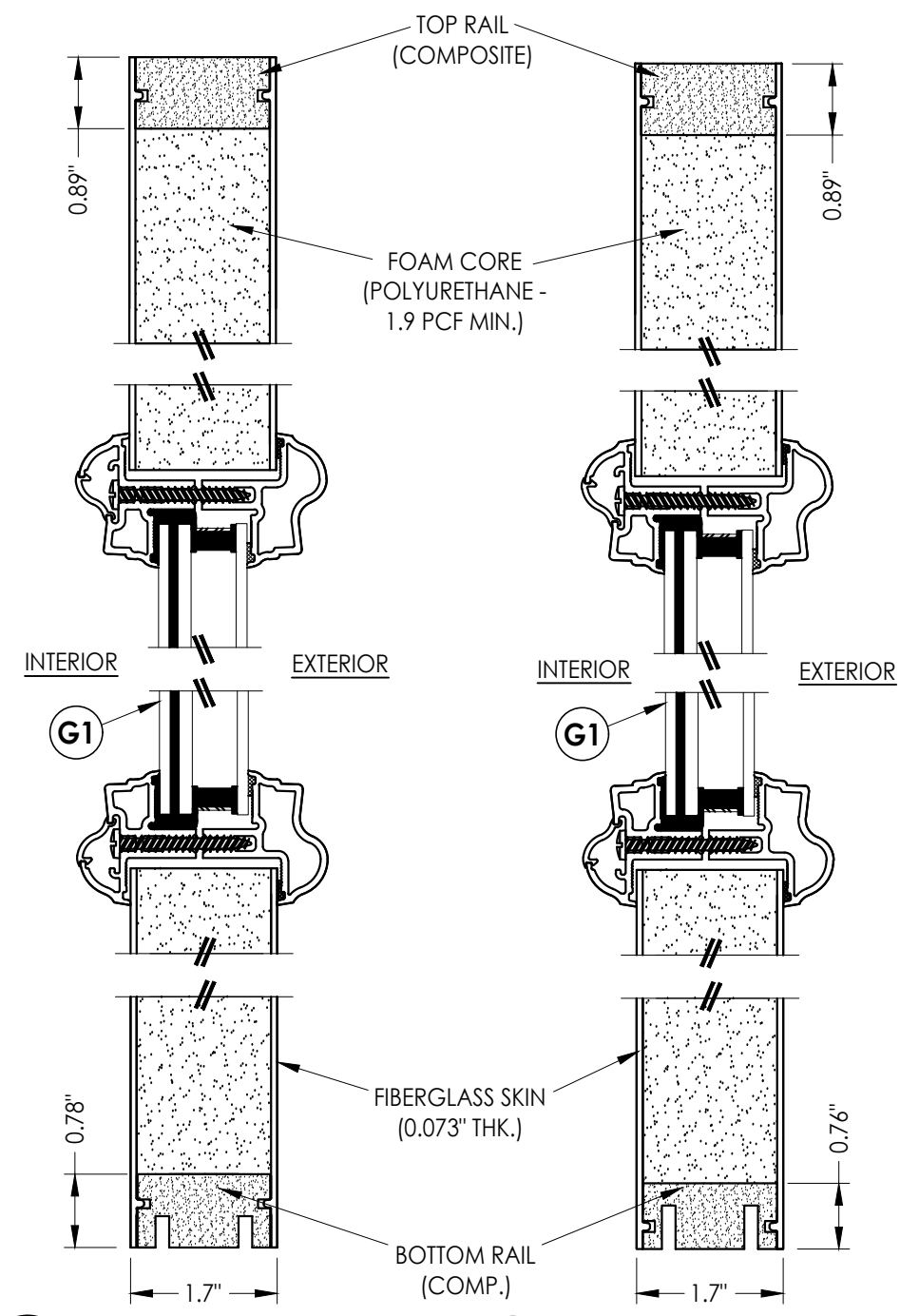
2 HORIZONTAL CROSS SECTION
2 Shown w/ Lip Lite Glazing



40 DOOR PANEL BOOK

41 DOOR PANEL Hybrid Door

42 DOOR PANEL U1 Door



3 VERTICAL CROSS SECTION
2 Shown w/ Lip Lite Glazing

4 VERTICAL CROSS SECTION
2 Shown w/ Lip Lite Glazing

Documents Prepared By:
Lyndon F. Schmidt
P.E. No. 43409

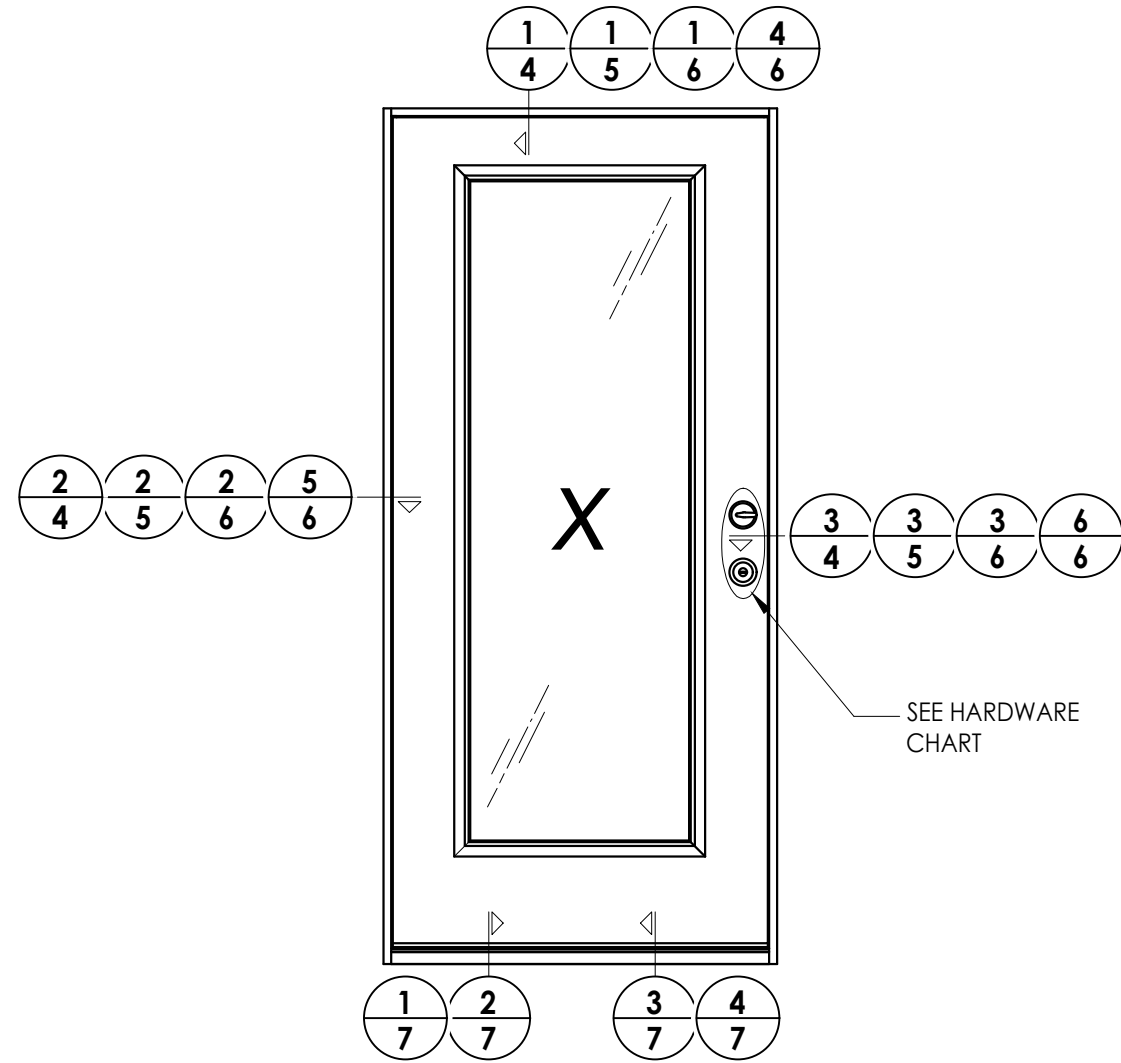
RW BUILDING CONSULTANTS, INC.
P.O. Box 230, Valrico, FL 33595
Phone No.: 813.659.9197
FBPE Registry No. 9813

| | |
|-------------------|-------------------------------|
| PRODUCT: | THERMA-TRU FIBERGLASS DOOR |
| PART OR ASSEMBLY: | DOOR PANEL DETAILS |

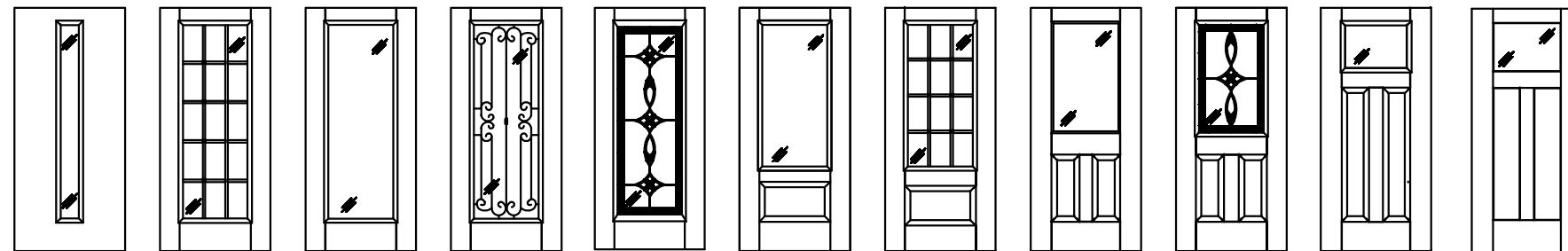
| NO. | DATE | REVISIONS |
|-----|----------|----------------------------------|
| 4 | 8/22/23 | UPDATE TO 8TH ED. (2023) FBC LFS |
| 3 | 7/15/20 | UPDATE TO 7th ED (2020) FBC PO |
| 2 | 10/09/18 | REV. DOOR PANEL OPTION NOTE MT |
| 1 | 11/15/17 | RECESSED PANEL NOTATION JK |
| | | BY |

| | |
|--------------|------------|
| DATE: | 12/19/16 |
| SCALE: | N.T.S. |
| DWG. BY: | JK |
| CHK. BY: | LFS |
| DRAWING NO.: | FL-21138.7 |
| SHEET | 2 OF 12 |

© 2016 R.W. BUILDING CONSULTANTS INC.



| HARDWARE TABLE | |
|--------------------|--|
| MANUFACTURER | MODEL |
| SCHLAGE | KNOB: F51 DEADBOLT: B60 |
| KWIKSET | KNOB: SIGNATURE SERIES DEADBOLT: SIGNATURE SERIES (980) |
| HOPPE (THERMA-TRU) | MULTIPOINT : MPDGART (3 pt. Manual Tongue) |



Fiber-Classic/Smooth-Star Door Panel Options

Products approved include all embossed and recessed panel doors.
 Similar glazed panel configurations are allowed.
 Panels shown are for illustration and are representative only.

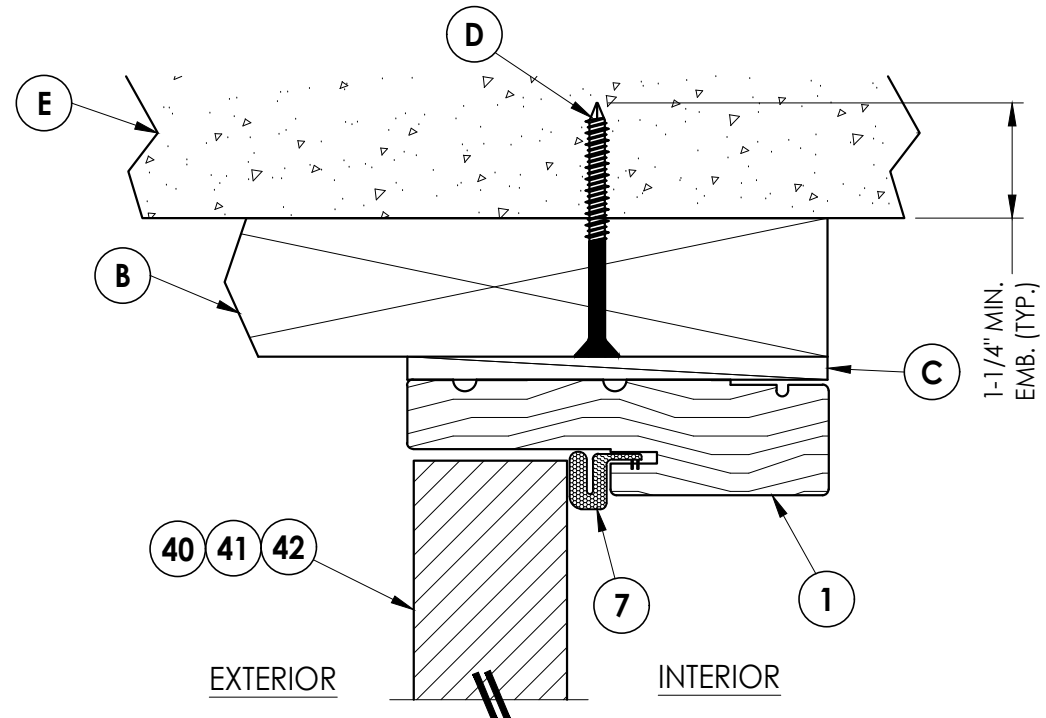
| REVISIONS | |
|-----------|----------|
| NO. | DATE |
| 4 | 8/22/23 |
| 3 | 7/15/20 |
| 2 | 10/09/18 |
| 1 | 11/15/17 |

| | |
|--------------|------------|
| DATE: | 12/19/16 |
| SCALE: | N.T.S. |
| DWG. BY: | JK |
| CHK. BY: | LFS |
| DRAWING NO.: | FL-21138.7 |
| SHEET | 3 OF 12 |

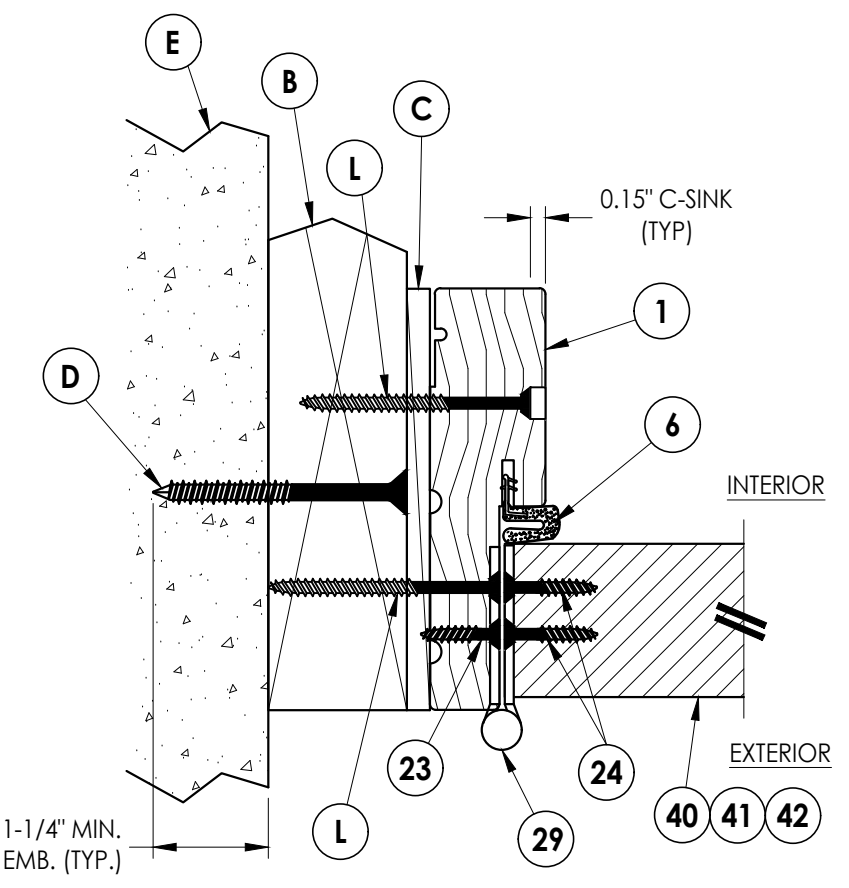
| | |
|-------------------|-------------------------------|
| PRODUCT: | THERMA-TRU FIBERGLASS DOOR |
| PART OR ASSEMBLY: | ELEVATIONS |

Documents Prepared By:
 Lyndon F. Schmidt
 P.E. No. 43409

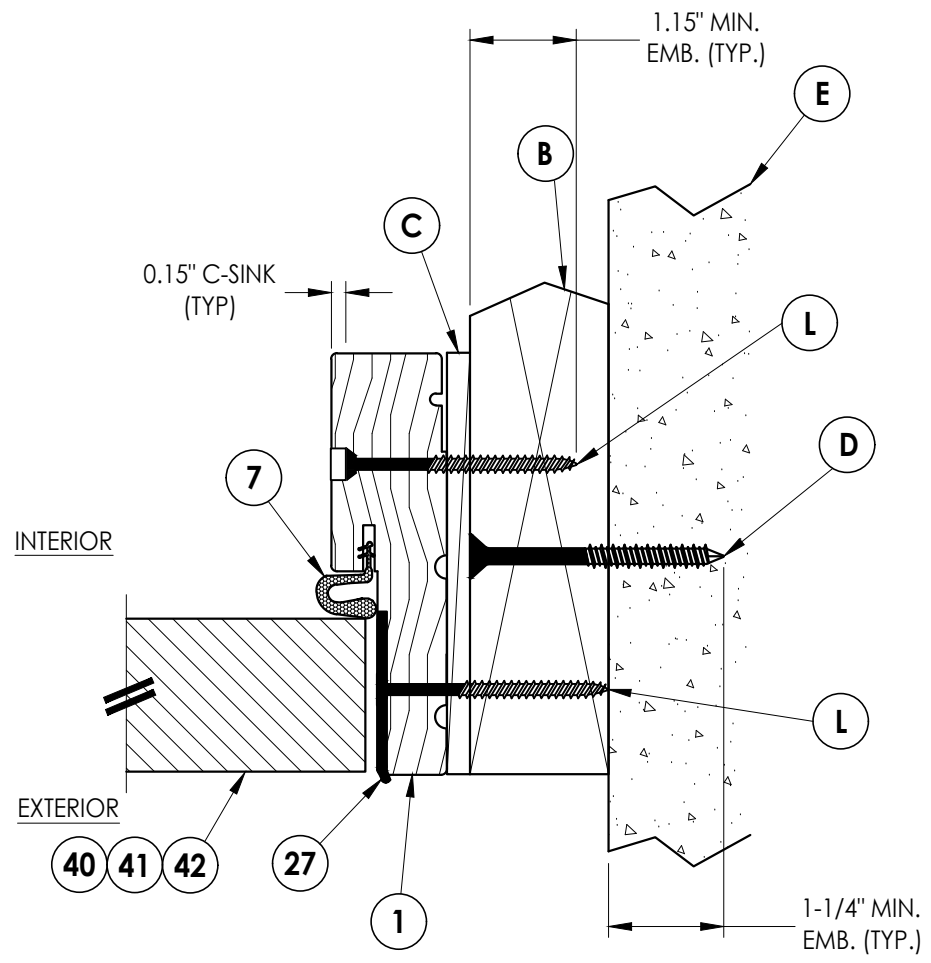
RW BUILDING CONSULTANTS, INC.
 P.O. Box 230, Valrico, FL 33595
 Phone No.: 813.659.9197
 FBPE Registry No. 9813



1 VERTICAL CROSS SECTION
4 Shown w/ 2X Buck
 Outswing shown (Inswing similar)



2 HORIZONTAL CROSS SECTION
4 Shown w/ 2X Buck
 Outswing shown (Inswing similar)



3 HORIZONTAL CROSS SECTION
4 Shown w/ 2X Buck
 Outswing shown (Inswing similar)

Documents Prepared By:
 Lyndon F. Schmidt
 P.E. No. 43409

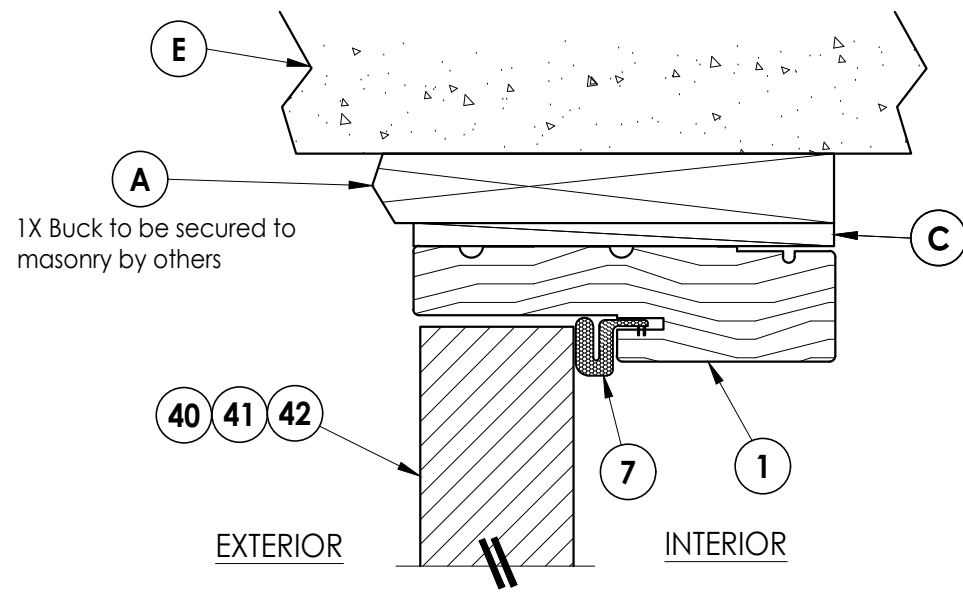
RW BUILDING CONSULTANTS, INC.
 P.O. Box 230, Valrico, FL 33595
 Phone No.: 813.659.9197
 FBPE Registry No. 9813

PRODUCT:
 THERMA-TRU
 FIBERGLASS DOOR

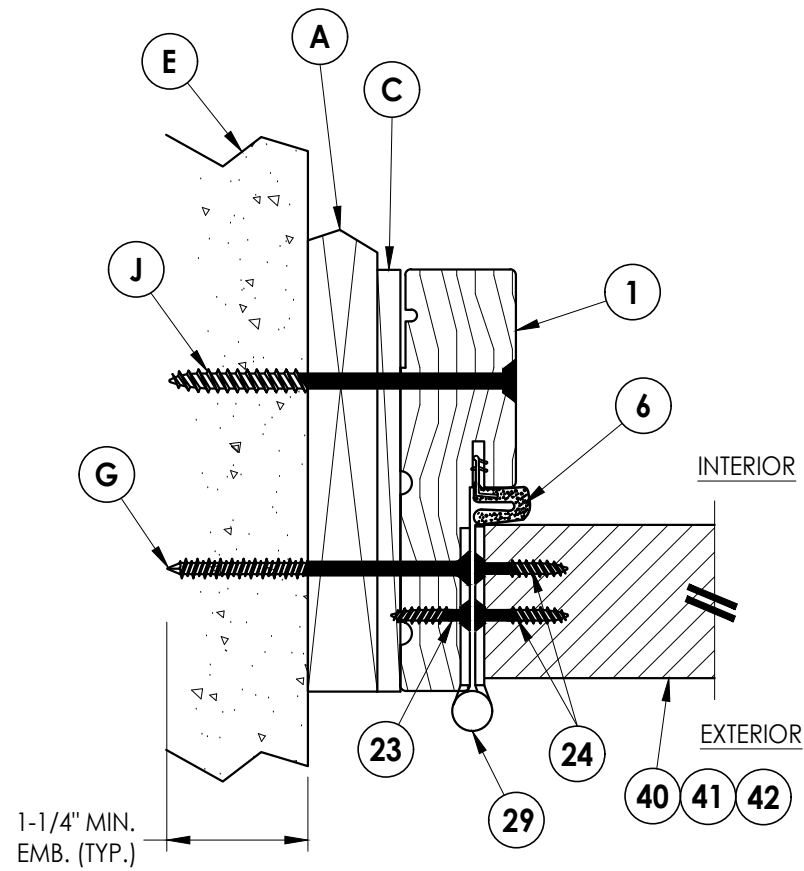
PART OR ASSEMBLY:
 HORIZONTAL & VERTICAL
 CROSS SECTIONS (2X BUCK)

| NO. | DATE | REVISIONS | BY |
|-----|----------|------------------------------|-----|
| 4 | 8/22/23 | UPDATE TO 8TH ED. (2023) FBC | LFS |
| 3 | 7/15/20 | UPDATE TO 7th ED (2020) FBC | PO |
| 2 | 10/09/18 | REV. DOOR PANEL OPTION NOTE | MT |
| 1 | 11/15/17 | RECESSED PANEL NOTATION | JK |

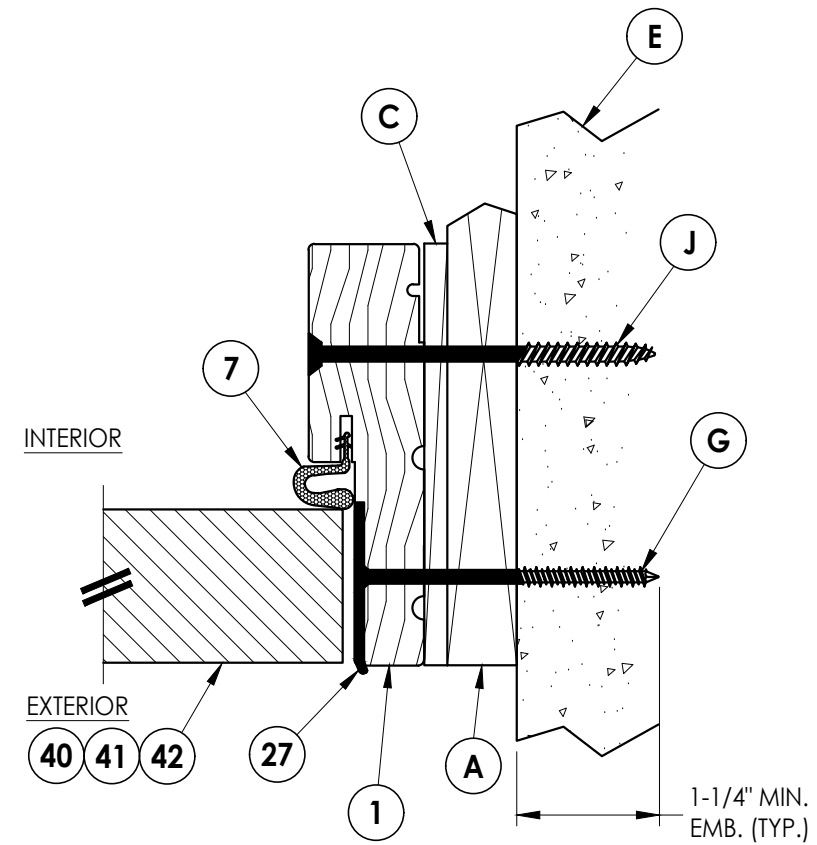
DATE: 12/19/16
 SCALE: N.T.S.
 DWG. BY: JK
 CHK. BY: LFS
 DRAWING NO.: FL-21138.7
 SHEET 4 OF 12



1 VERTICAL CROSS SECTION
5 Shown w/ 1X sub-buck
 Outswing shown (Inswing similar)



2 HORIZONTAL CROSS SECTION
5 Shown w/ 1X sub-buck
 Outswing shown (Inswing similar)



3 HORIZONTAL CROSS SECTION
5 Shown w/ 1X sub-buck
 Outswing shown (Inswing similar)

Documents Prepared By:
 Lyndon F. Schmidt
 P.E. No. 43409

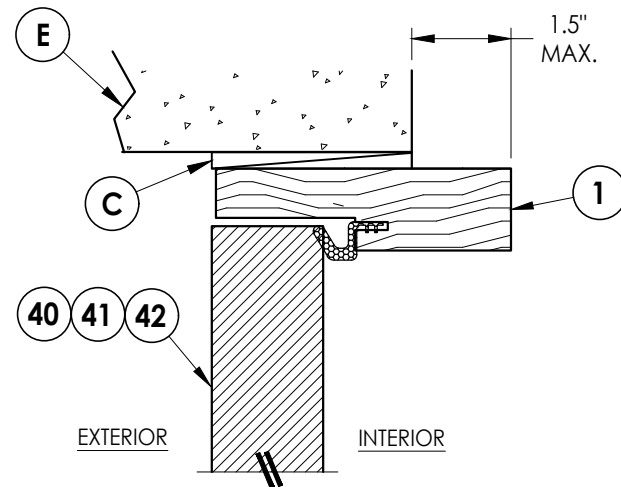
RW BUILDING CONSULTANTS, INC.
 P.O. Box 230, Valrico, FL 33595
 Phone No.: 813.659.9197
 FBPE Registry No. 9813

PRODUCT:
 THERMA-TRU
 FIBERGLASS DOOR

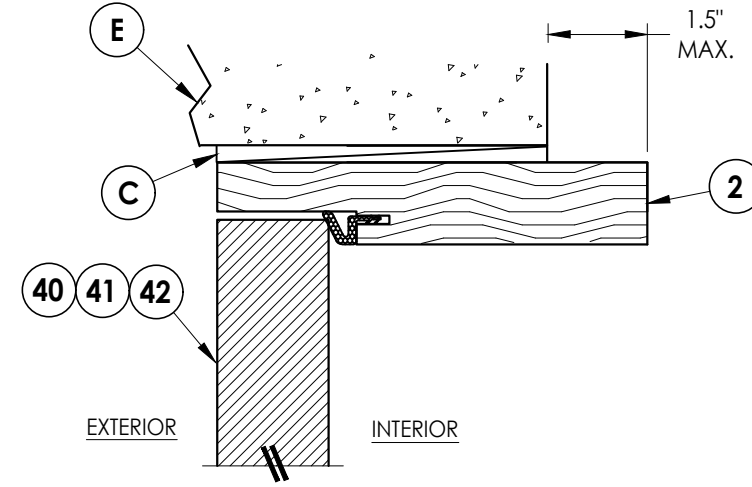
PART OR ASSEMBLY:
 HORIZONTAL & VERTICAL
 CROSS SECTIONS (1X BUCK)

| NO. | DATE | REVISIONS |
|-----|----------|----------------------------------|
| 4 | 8/22/23 | UPDATE TO 8TH ED. (2023) FBC LFS |
| 3 | 7/15/20 | UPDATE TO 7th ED (2020) FBC PO |
| 2 | 10/09/18 | REV. DOOR PANEL OPTION NOTE MT |
| 1 | 11/15/17 | RECESSED PANEL NOTATION JK |

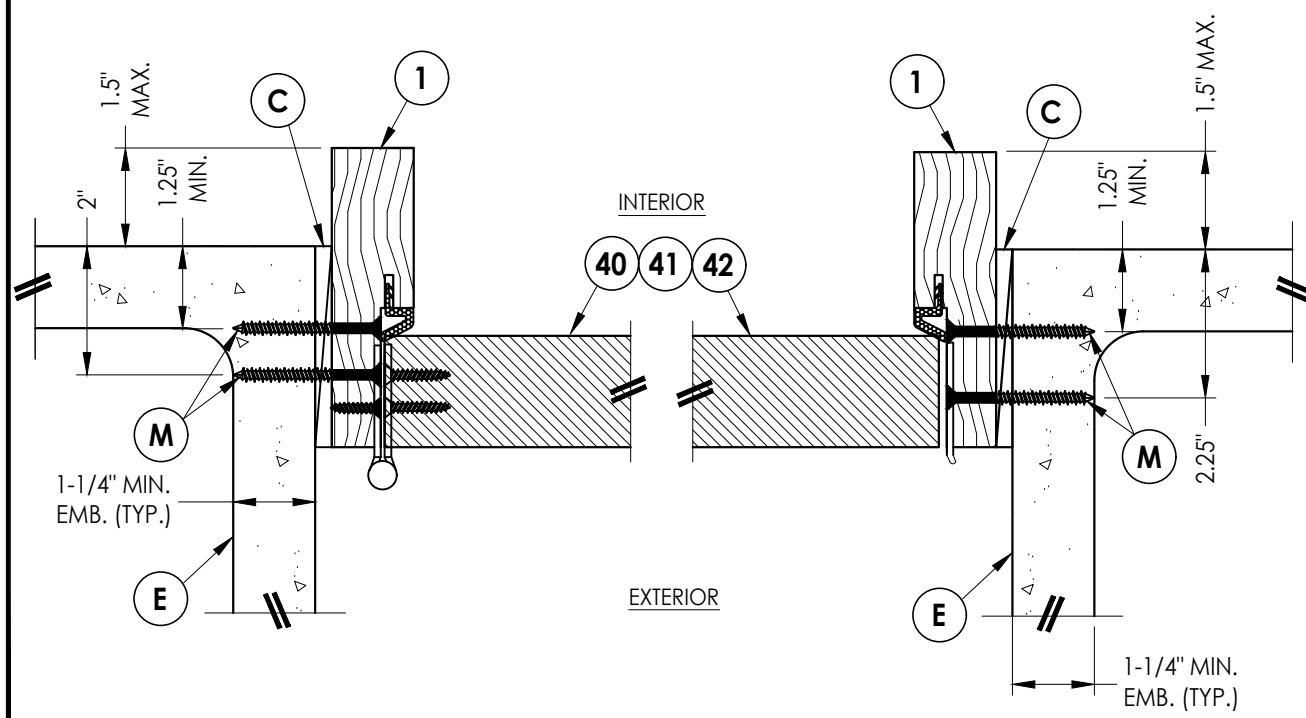
DATE: 12/19/16
 SCALE: N.T.S.
 DWG. BY: JK
 CHK. BY: LFS
 DRAWING NO.:
 FL-21138.7
 SHEET 5 of 12



1 VERTICAL CROSS SECTION
6 Shown Direct to Masonry
 Outswing only w/ 4-9/16" jamb

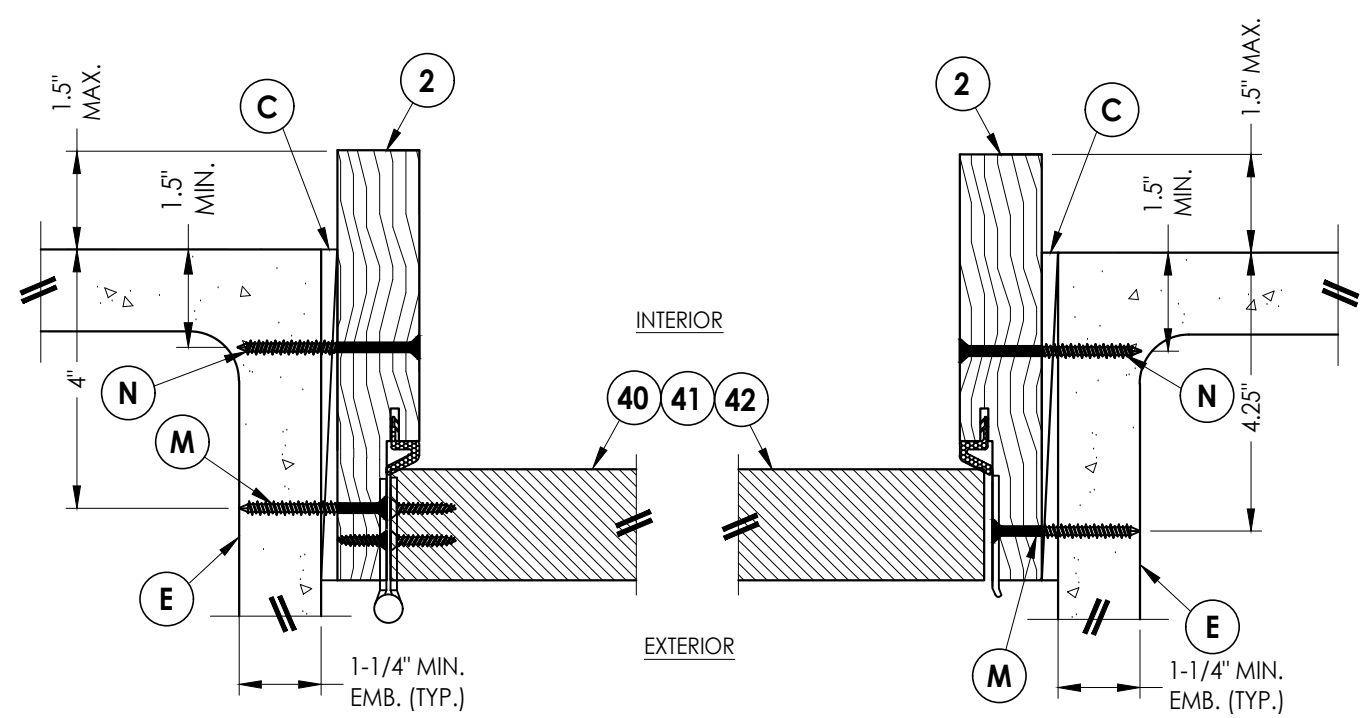


4 VERTICAL CROSS SECTION
6 Shown Direct to Masonry
 Outswing only w/ 6-9/16" jamb



2 HORIZONTAL CROSS SECTION
6 Shown Direct to Masonry
 Outswing only w/ 4-9/16" jamb

3 HORIZONTAL CROSS SECTION
6 Shown Direct to Masonry
 Outswing only w/ 4-9/16" jamb



5 HORIZONTAL CROSS SECTION
6 Shown Direct to Masonry
 Outswing only w/ 6-9/16" jamb

6 HORIZONTAL CROSS SECTION
6 Shown Direct to Masonry
 Outswing only w/ 6-9/16" jamb

Documents Prepared By:
 Lyndon F. Schmidt
 P.E. No. 43409

RW BUILDING CONSULTANTS, INC.
 P.O. Box 230, Vairico, FL 33595
 Phone No.: 813.659.9197
 FBPE Registry No. 9813

PRODUCT:
 THERMA-TRU
 FIBERGLASS DOOR

PART OR ASSEMBLY:
 HORIZONTAL & VERTICAL
 SECTIONS (DIRECT TO MASONRY)

| NO. | DATE | REVISIONS |
|-----|----------|------------------------------|
| 4 | 8/22/23 | UPDATE TO 8TH ED. (2023) FBC |
| 3 | 7/15/20 | UPDATE TO 7th ED (2020) FBC |
| 2 | 10/09/18 | REV. DOOR PANEL OPTION NOTE |
| 1 | 11/15/17 | RECESSED PANEL NOTATION |

DATE: 12/19/16

SCALE: N.T.S.

DWG. BY: JK

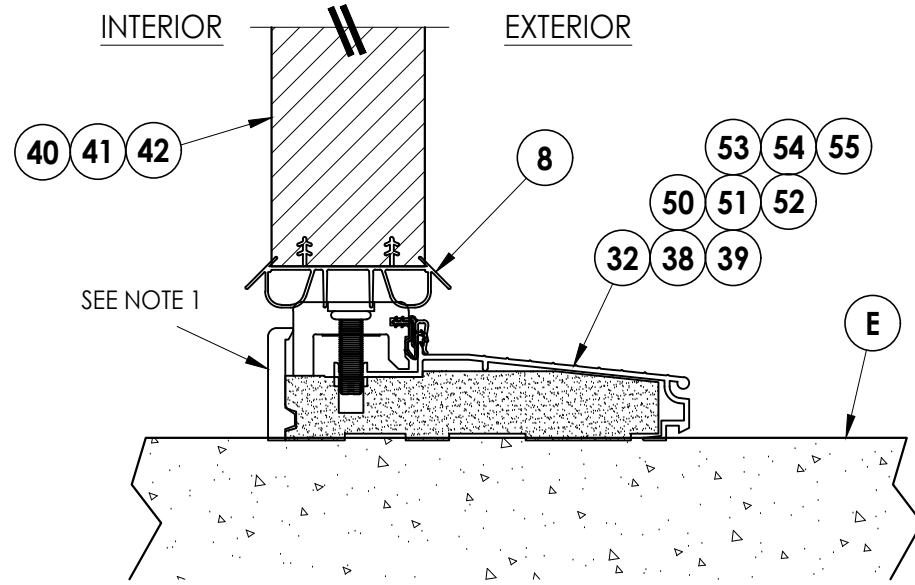
CHK. BY: LFS

DRAWING NO.:
 FL-21138.7

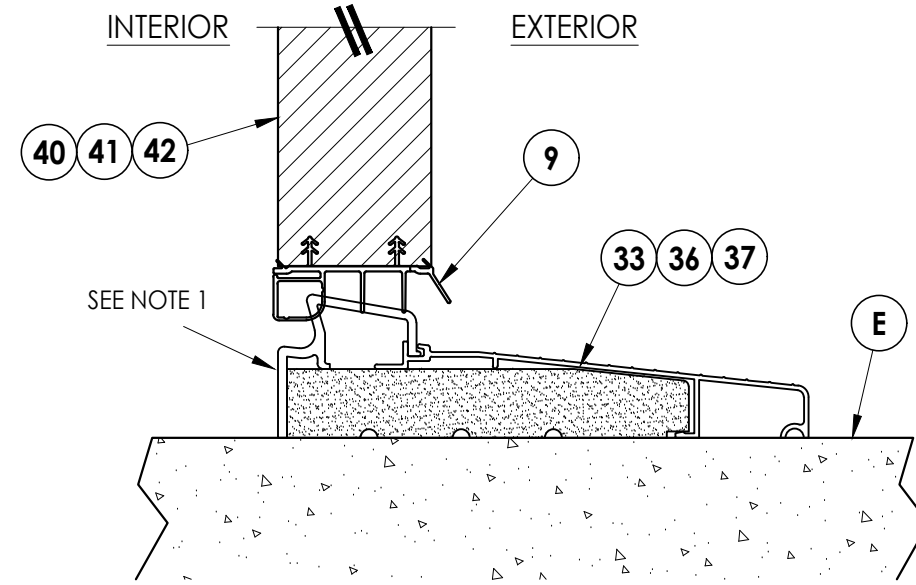
SHEET 6 OF 12

Notes:

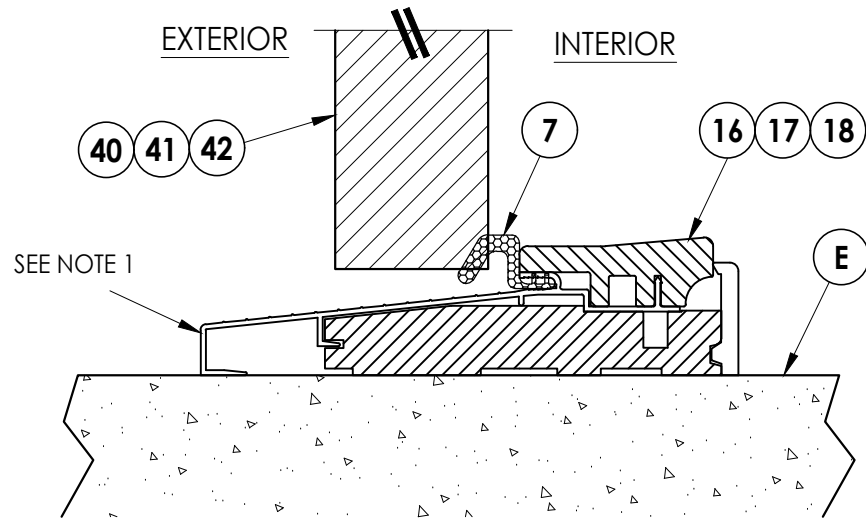
- Sill Item #'s 16, 32, 33, 36, 37, 38, 39, 50, 51, 52, 53, 54 & 55 are attached to jambs w/ (3) #8 X 2-1/2" pfh screws or (3) 2.5" staples at each end.
- Sill Item #'s 17 & 18 are attached to jambs w/ (2) #8 X 2-1/2" pfh screws at each end.
- Sill Item #15 is attached to jambs utilizing (2) #10 X 2" pph SMS screws at each end.



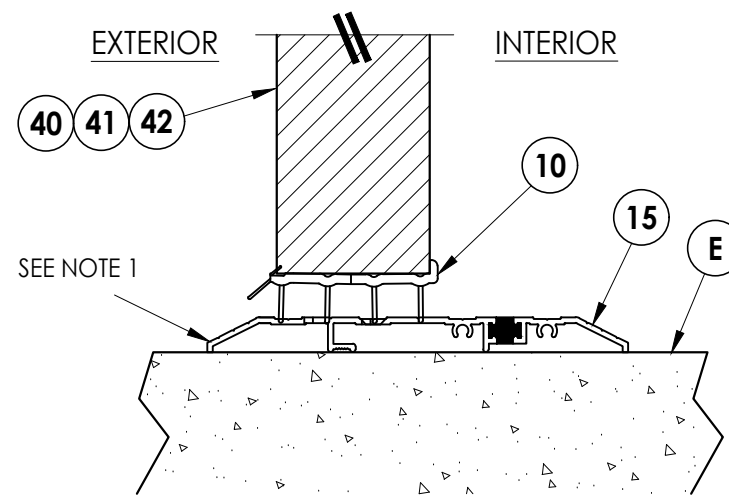
1 VERTICAL CROSS SECTION
7 Inswing Sill



2 VERTICAL CROSS SECTION
7 Inswing Sill



3 VERTICAL CROSS SECTION
7 Outswing Sill



4 VERTICAL CROSS SECTION
7 Public Access Sill

Documents Prepared By:
Lyndon F. Schmidt
P.E. No. 43409

RW BUILDING CONSULTANTS, INC.
P.O. Box 230, Valrico, FL 33595
Phone No.: 813.659.9197
FBPE Registry No. 9813

PRODUCT:
THERMA-TRU
FIBERGLASS DOOR

PART OR ASSEMBLY:
VERTICAL CROSS
SECTIONS (THRESHOLDS)

| NO. | DATE | REVISIONS |
|-----|----------|---------------------------------|
| 4 | 8/22/23 | UPDATE TO 8TH ED. (2023) FBC PO |
| 3 | 7/15/20 | UPDATE TO 7th ED. (2020) FBC PO |
| 2 | 10/09/18 | REV. DOOR PANEL OPTION NOTE |
| 1 | 11/15/17 | RECESSED PANEL NOTATION |

DATE: 12/19/16

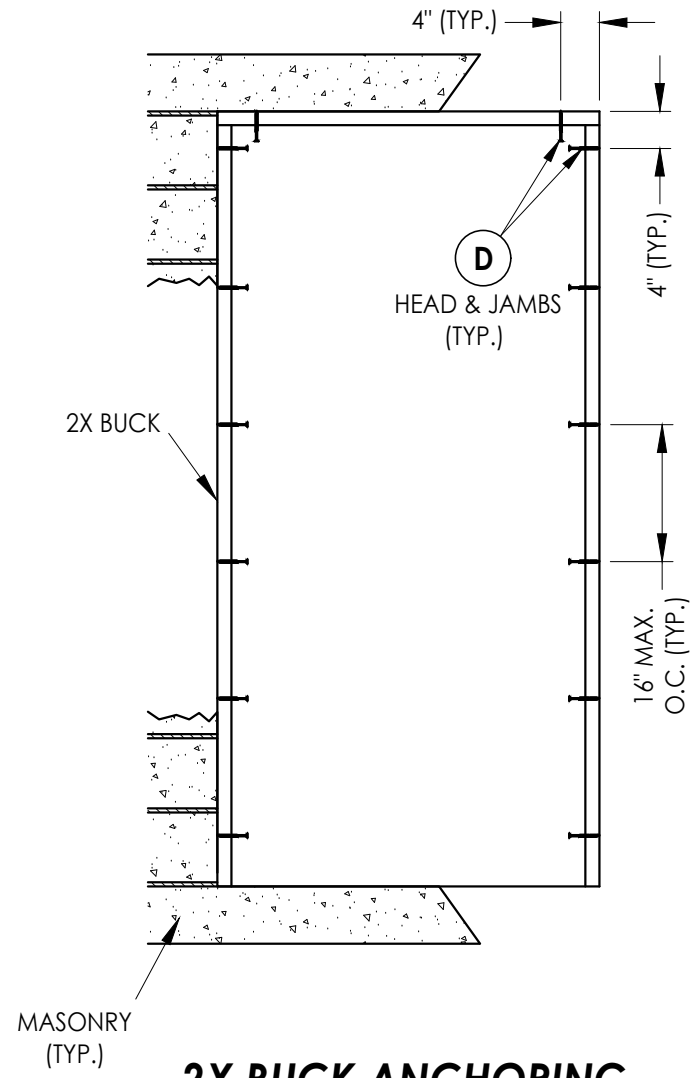
SCALE: N.T.S.

DWG. BY: JK

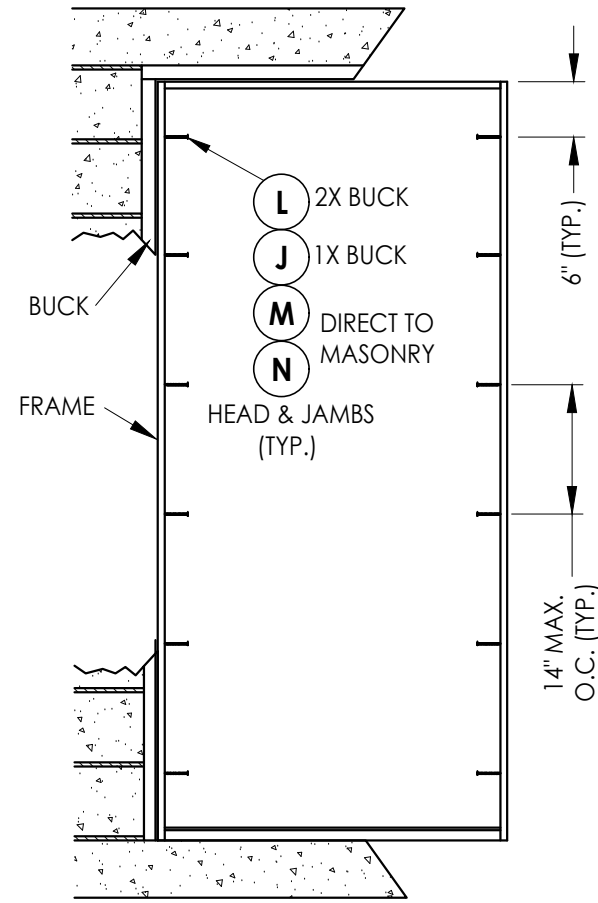
CHK. BY: LFS

DRAWING NO.: FL-21138.7

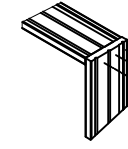
SHEET 7 OF 12



2X BUCK ANCHORING



FRAME ANCHORING



JAMB TO HEAD DETAIL (TYP.)

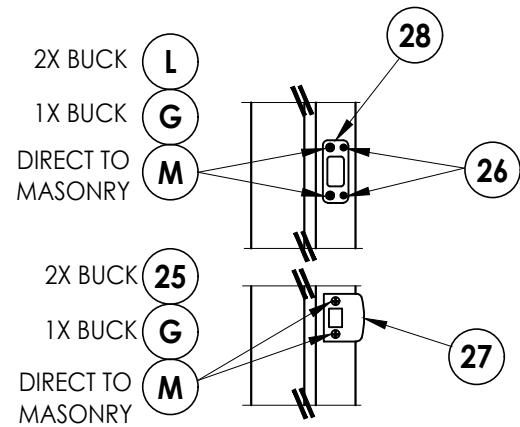
(3) #8 x 2-1/2"
PFH WS

| NO. | DATE | REVISIONS |
|-----|----------|----------------------------------|
| 4 | 8/22/23 | UPDATE TO 8TH ED. (2023) FBC LFS |
| 3 | 7/15/20 | UPDATE TO 7th ED (2020) FBC PO |
| 2 | 10/09/18 | REV. DOOR PANEL OPTION NOTE MT |
| 1 | 11/15/17 | RECESSED PANEL NOTATION JK |

DATE: 12/19/16
 SCALE: N.T.S.
 DWG. BY: JK
 CHK. BY: LFS
 DRAWING NO.: FL-21138.7
 SHEET 8 OF 12

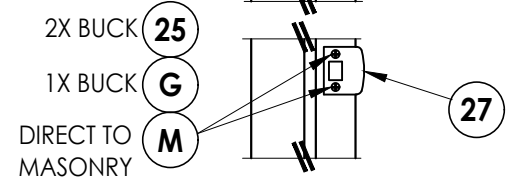
PRODUCT: THERMA-TRU FIBERGLASS DOOR
 PART OR ASSEMBLY: BUCK & FRAME ANCHORING

Documents Prepared By:
 Lyndon F. Schmidt
 P.E. No. 43409
 R.W. BUILDING CONSULTANTS, INC.
 P.O. Box 230, Valrico, FL 33595
 Phone No.: 813.659.9197
 FBPE Registry No. 9813



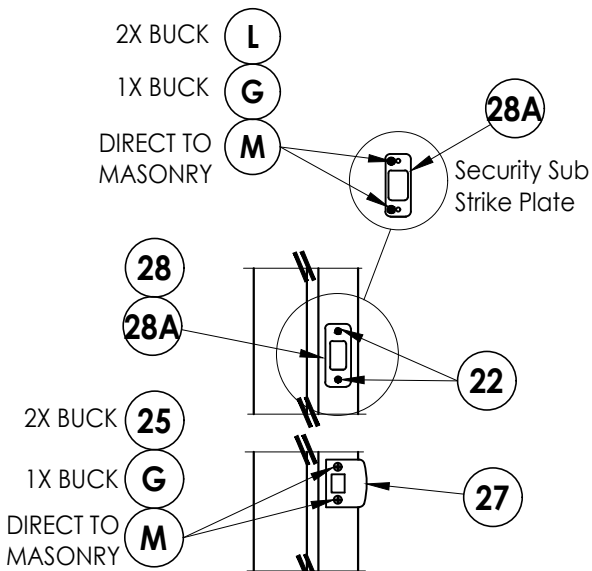
LATCH & DEADBOLT DETAIL

Kwikset

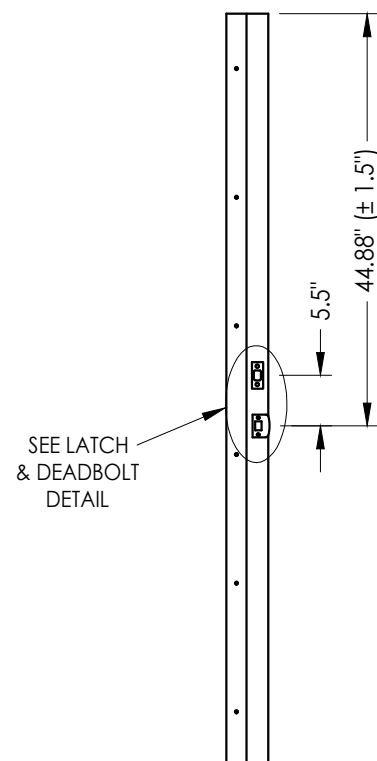


LATCH & DEADBOLT DETAIL

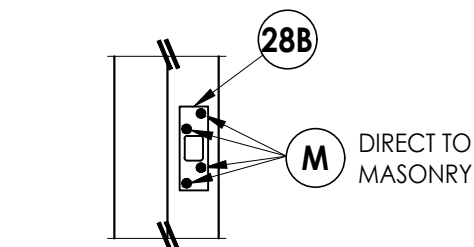
Schlage



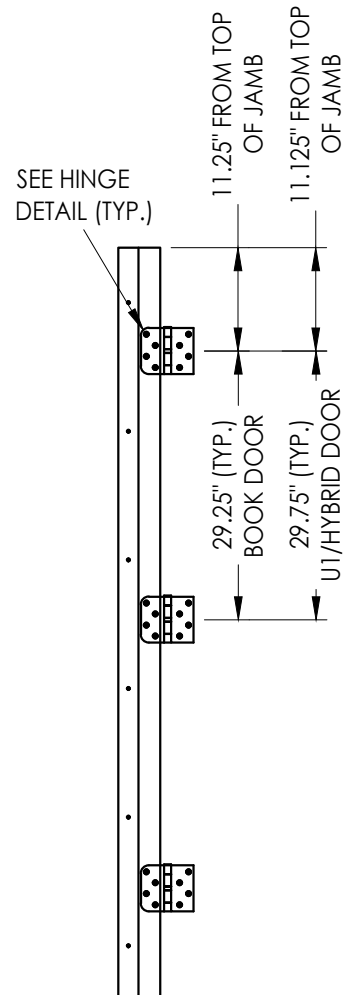
LATCH & DEADBOLT STRIKE DETAILS



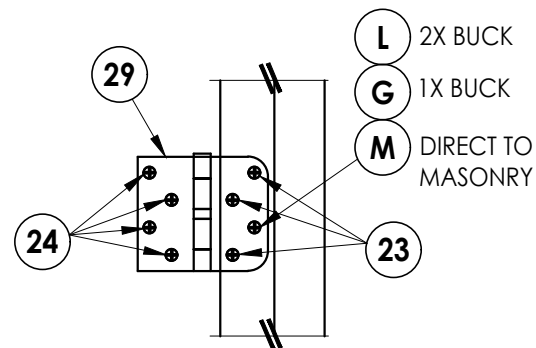
STRIKE JAMB
Latch and Deadbolt



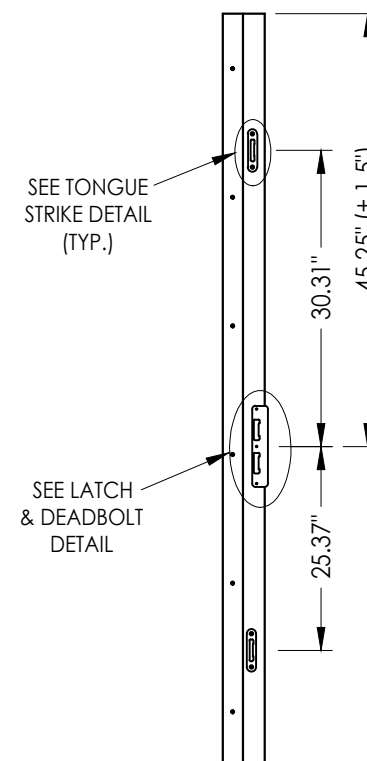
DEADBOLT STRIKE DETAILS
(Security Deadbolt Strike Plate)



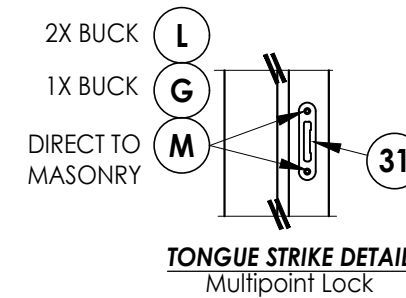
HINGE JAMB



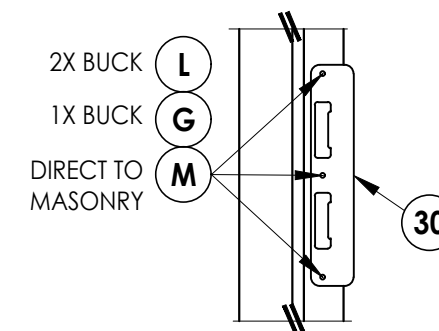
HINGE DETAIL



STRIKE JAMB
Multipoint Lock



TONGUE STRIKE DETAIL
Multipoint Lock



LATCH & DEADBOLT DETAIL
Multipoint Lock

MULTIPOINT LOCK STRIKE DETAILS

Documents Prepared By:
Lyndon F. Schmidt
P.E. No. 43409

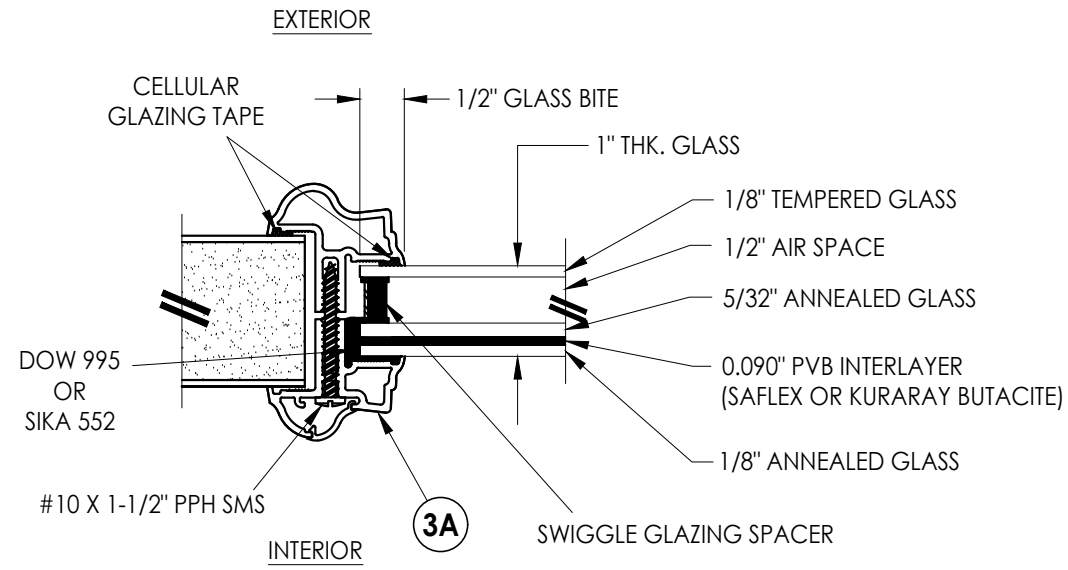
PRODUCT: THERMA-TRU
FIBERGLASS DOOR

PART OR ASSEMBLY:
HARDWARE DETAILS

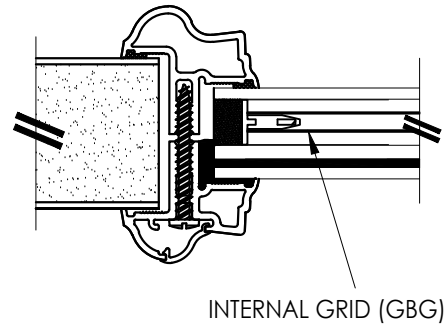
RW BUILDING CONSULTANTS, INC.
P.O. Box 230, Valrico, FL 33595
Phone No.: 813.659.9197
FBPE Registry No. 9813

| REVISIONS | |
|-----------|----------|
| NO. | DATE |
| 4 | 8/22/23 |
| 3 | 7/15/20 |
| 2 | 10/09/18 |
| 1 | 11/15/17 |

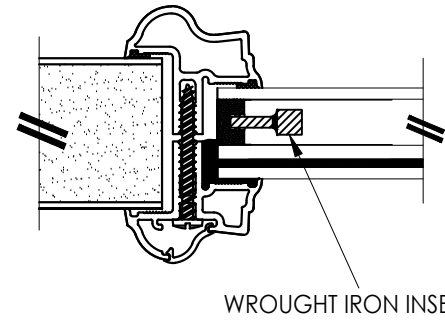
| | |
|--------------|------------|
| DATE: | 12/19/16 |
| SCALE: | N.T.S. |
| DWG. BY: | JK |
| CHK. BY: | LFS |
| DRAWING NO.: | FL-21138.7 |
| SHEET | 9 OF 12 |



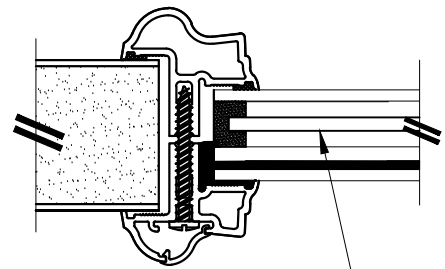
G1 GLAZING DETAIL
Aluminum Impact Lite Frame
Door Panels & Sidelites



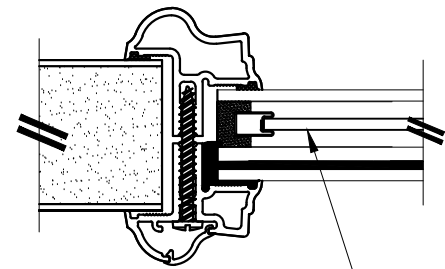
INTERNAL GRID (GBG)



WROUGHT IRON INSERT

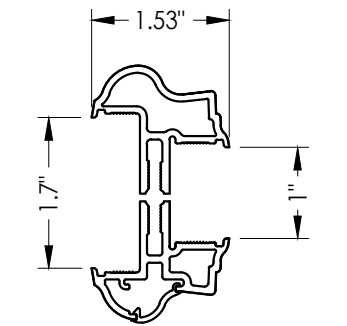


PRIVACY INSERT

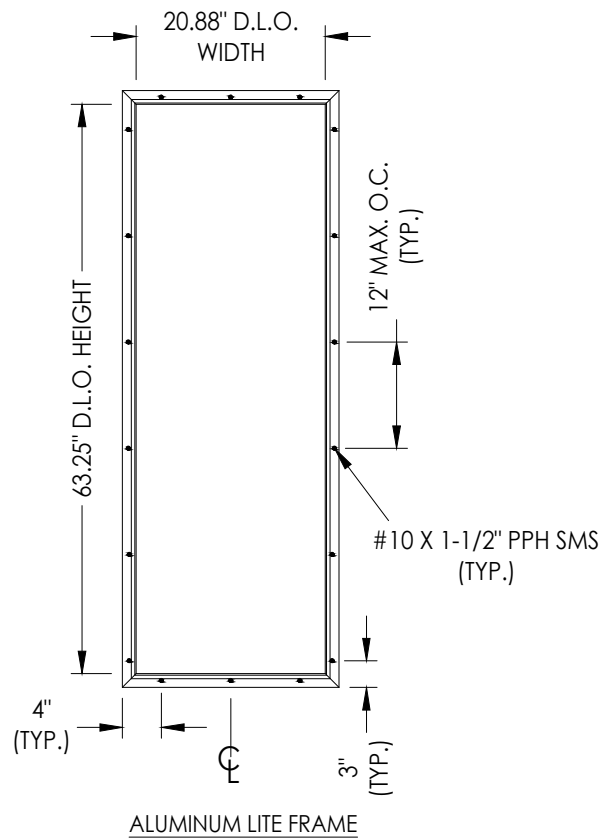


DECORATIVE INSERT

1" LAMINATED INSULATED IMPACT GLASS INSERT OPTIONS



3A ALUMINUM FRAME
Aluminum Impact Lite Frame
Door Panels & Sidelites



ALUMINUM LITE FRAME

Documents Prepared By:
Lyndon F. Schmidt
P.E. No. 43409

RW BUILDING CONSULTANTS, INC.
P.O. Box 230, Valrico, FL 33595
Phone No.: 813.659.9197
FBPE Registry No. 9813

PRODUCT: THERMA-TRU
FIBERGLASS DOOR

PART OR ASSEMBLY:
GLAZING DETAILS

| NO. | DATE | REVISIONS |
|-----|----------|------------------------------|
| 4 | 8/22/23 | UPDATE TO 8TH ED. (2023) FBC |
| 3 | 7/15/20 | UPDATE TO 7th ED (2020) FBC |
| 2 | 10/09/18 | REV. DOOR PANEL OPTION NOTE |
| 1 | 11/15/17 | RECESSED PANEL NOTATION |
| | | BY |
| | | JK |
| | | MT |
| | | P0 |
| | | LFS |

DATE: 12/19/16

SCALE: N.T.S.

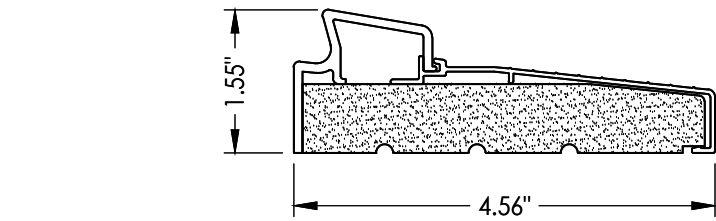
DWG. BY: JK

CHK. BY: LFS

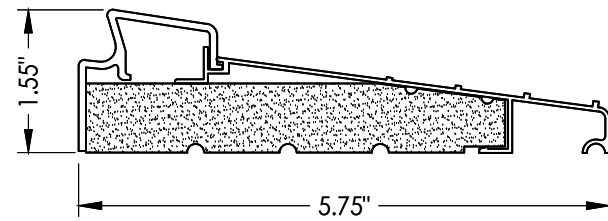
DRAWING NO.:

FL-21138.7

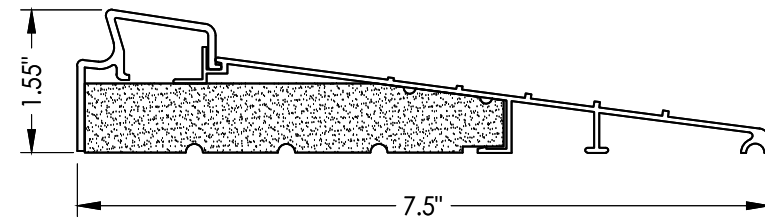
SHEET 10 OF 12



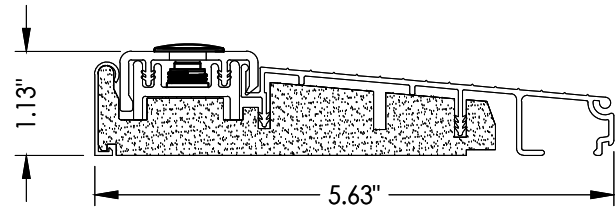
33 INSWING THRESHOLD
Inswing Basic Fixed Sill



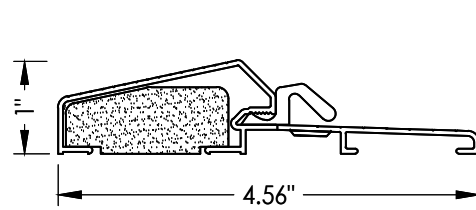
36 INSWING THRESHOLD
Inswing Basic Fixed 5-3/4" Sill



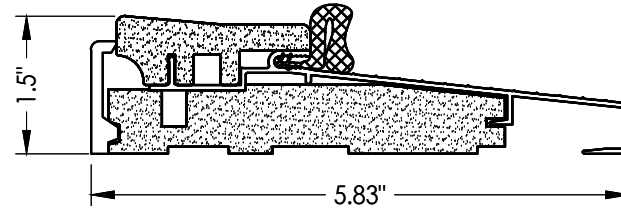
37 INSWING THRESHOLD
Inswing Basic Fixed 7-1/2" Sill



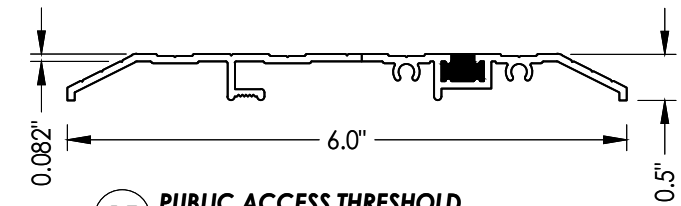
39 INSWING THRESHOLD
Inswing Composite Adjustable Sill



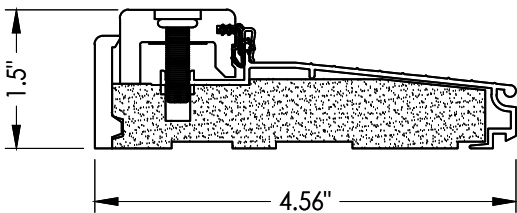
17 OUTSWING THRESHOLD
Composite / Aluminum Sill



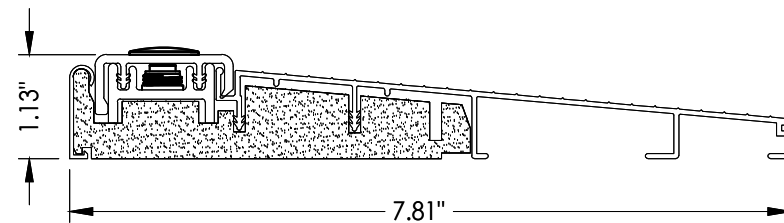
16 OUTSWING THRESHOLD*
Composite / Aluminum Sill



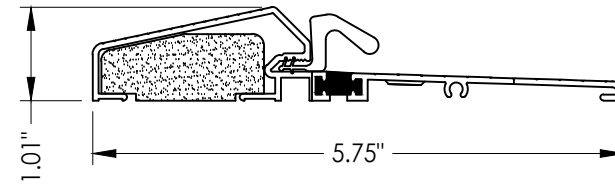
15 PUBLIC ACCESS THRESHOLD



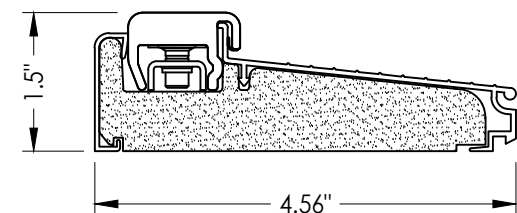
38 INSWING THRESHOLD
Inswing Composite Adjustable Sill



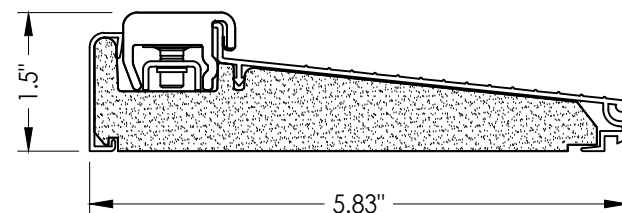
32 INSWING THRESHOLD
Inswing Composite Adjustable 7-3/4" Sill



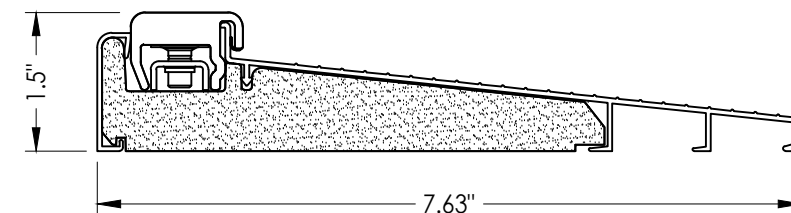
18 OUTSWING THRESHOLD
Composite / Aluminum Sill
(Thermal Break)



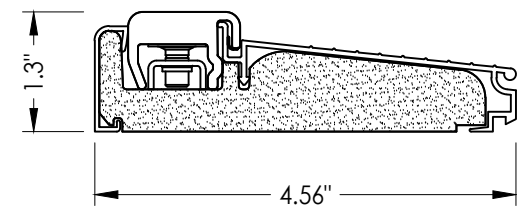
50 INSWING THRESHOLD
Inswing Composite Adjustable Sill
Book, Hybrid



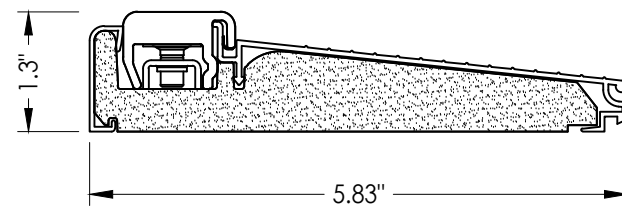
51 INSWING THRESHOLD
Inswing Composite Adjustable Sill
Book, Hybrid



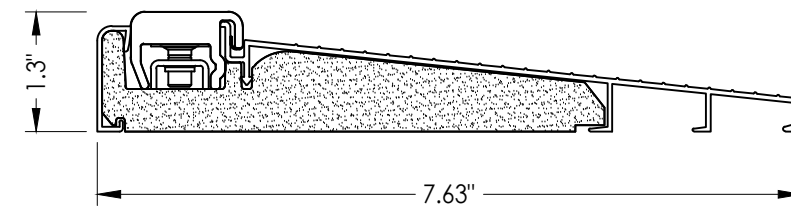
52 INSWING THRESHOLD
Inswing Composite Adjustable Sill
Book, Hybrid



53 INSWING THRESHOLD
Inswing Composite Adjustable Sill
U1



54 INSWING THRESHOLD
Inswing Composite Adjustable Sill
U1



55 INSWING THRESHOLD
Inswing Composite Adjustable Sill
U1

Documents Prepared By:
Lyndon F. Schmidt
P.E. No. 43409

RW BUILDING CONSULTANTS, INC.
P.O. Box 230, Vairico, FL 33595
Phone No.: 813.659.9197
FBPE Registry No. 9813

PRODUCT:
THERMA-TRU
FIBERGLASS DOOR

PART OR ASSEMBLY:

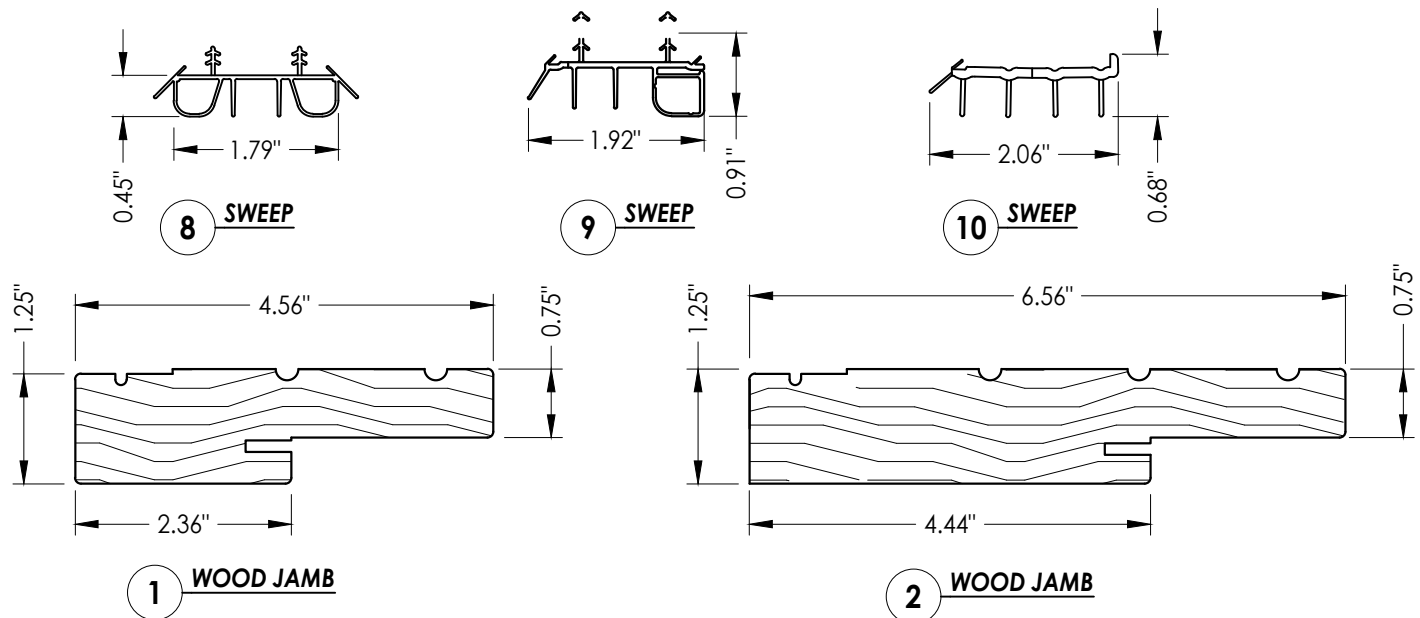
COMPONENTS

| NO | DATE | REVISIONS | BY |
|----|----------|------------------------------|-----|
| 4 | 8/22/23 | UPDATE TO 8TH ED. (2023) FBC | LFS |
| 3 | 7/15/20 | UPDATE TO 7th ED (2020) FBC | PO |
| 2 | 10/09/18 | REV. DOOR PANEL OPTION NOTE | MT |
| 1 | 11/15/17 | RECESSED PANEL NOTATION | JK |

DATE: 12/19/16
SCALE: N.T.S.
DWG. BY: JK
CHK. BY: LFS
DRAWING NO.: FL-21138.7
SHEET 11 OF 12

| BILL OF MATERIALS | | |
|-------------------|--|-----------|
| ITEM # | DESCRIPTION | MATERIAL |
| A | 1X BUCK (SG >= 0.42) | WOOD |
| B | 2X BUCK (SG >= 0.42) | WOOD |
| C | 1/4" MAX. SHIM SPACE | - |
| D | 1/4" X 2-3/4" PFH DeWALT OR ITW CONCRETE SCREW | STEEL |
| E | MASONRY - 3,000 PSI MIN. CONCRETE CONFORMING TO ACI 301 OR HOLLOW BLOCK CONFORMING TO ASTM C90 | CONCRETE |
| | | CONCRETE |
| G | 3/16" X 3-1/4" ITW CONCRETE SCREW | STEEL |
| J | 1/4" X 3-3/4" PFH DeWALT OR ITW CONCRETE SCREW | STEEL |
| L | #10 X 2-1/2" PFH WOOD SCREW (1.15" MIN. EMBEDMENT) | STEEL |
| M | 3/16" X 2-1/4" ITW CONCRETE SCREW | STEEL |
| N | 3/16" X 2-3/4" ITW CONCRETE SCREW | STEEL |
| 1 | JAMB (FINGER JOINT PINE) | WOOD |
| 2 | JAMB (FINGER JOINT PINE) | WOOD |
| 6 | WEATHERSTRIP (MEDIUM REACH) | FOAM |
| 7 | WEATHERSTRIP (LONG REACH) | FOAM |
| 8 | SWEEP | VINYL |
| 9 | SWEEP | VINYL |
| 10 | SWEEP (USE w/ PUBLIC ACCESS THRESHOLD) | VINYL |
| 15 | PUBLIC ACCESS THRESHOLD | ALUM |
| 16 | OUTSWING THRESHOLD | ALUM/COMP |
| 17 | OUTSWING THRESHOLD | ALUM/COMP |
| 18 | OUTSWING THRESHOLD | ALUM/COMP |
| 22 | #8 x 3/4" PFH WOOD SCREW | STEEL |
| 23 | #10 x 3/4" PFH WOOD SCREW | STEEL |
| 24 | #10 x 1" PFH WOOD SCREW | STEEL |

| BILL OF MATERIALS | | |
|-------------------|---|-----------|
| ITEM # | DESCRIPTION | MATERIAL |
| 25 | #8 x 2-1/2" PFH WOOD SCREW | STEEL |
| 26 | #8 x 5/8" PFH WOOD SCREW | STEEL |
| 27 | LATCH STRIKE PLATE | STEEL |
| 28 | DEADBOLT STRIKE PLATE (STANDARD) | STEEL |
| 28A | DEADBOLT SUB STRIKE PLATE | STEEL |
| 28B | DEADBOLT STRIKE PLATE (SECURITY) | STEEL |
| 29 | 4" X 4" HINGE | STEEL |
| 30 | LATCH & DEADBOLT STRIKE PLATE (TONGUE SYSTEM) | ALUM/COMP |
| 31 | MULTIPOINT STRIKE PLATE (TONGUE SYSTEM) | ALUM/COMP |
| 32 | INSWING THRESHOLD | ALUM/COMP |
| 33 | INSWING THRESHOLD | ALUM/COMP |
| 36 | INSWING THRESHOLD | ALUM/COMP |
| 37 | INSWING THRESHOLD | ALUM/COMP |
| 38 | INSWING THRESHOLD | ALUM/COMP |
| 39 | INSWING THRESHOLD | ALUM/COMP |
| 40 | DOOR PANEL (BOOK) | - |
| 41 | DOOR PANEL (HYBRID) | - |
| 42 | DOOR PANEL (U1) | - |
| 50 | INSWING THRESHOLD | ALUM/COMP |
| 51 | INSWING THRESHOLD | ALUM/COMP |
| 52 | INSWING THRESHOLD | ALUM/COMP |
| 53 | INSWING THRESHOLD | ALUM/COMP |
| 54 | INSWING THRESHOLD | ALUM/COMP |
| 55 | INSWING THRESHOLD | ALUM/COMP |



CONCRETE ANCHOR NOTES:

- Concrete anchor locations at the corners may be adjusted to maintain the min. edge distance to mortar joints.
- Concrete anchor locations noted as "MAX. ON CENTER" must be adjusted to maintain the min. edge distance to mortar joints, additional concrete anchors may be required to ensure the "MAX. ON CENTER" dimension are not exceeded.
- Concrete anchor table:

| ANCHOR TYPE | ANCHOR SIZE | MIN. EMBEDMENT | MIN. CLEARANCE TO MASONRY EDGE | MIN. CLEARANCE TO ADJACENT ANCHOR |
|------------------|-------------|----------------|--------------------------------|-----------------------------------|
| ITW TAPCON® | 1/4" | 1-1/4" | 2" | 4" |
| DeWALT ULTRACON® | 1/4" | 1-1/4" | 1" | 4" |
| ITW TAPCON® | 3/16" | 1-1/4" | AS SHOWN | 1-1/2" |

WOOD SCREW INSTALLATION NOTES:

- Maintain a minimum 5/8" edge distance, 1" end distance, & 1" o.c. spacing of wood screws to prevent the splitting of wood.

Documents Prepared By:
Lyndon F. Schmidt
P.E. No. 43409

R.W. BUILDING CONSULTANTS, INC.
P.O. Box 230, Valrico, FL 33595
Phone No.: 813.659.9197
FBPE Registry No. 9813

PRODUCT:
THERMA-TRU
FIBERGLASS DOOR

PART OR ASSEMBLY:
COMPONENTS &
BILL OF MATERIALS

| | | UPDATE TO 8TH ED. (2023) | FBC | LFS | PO | MT | JK | BY |
|---|----------|--------------------------|------|-----|----|----|----|----|
| 4 | 8/22/23 | UPDATE TO 8TH ED. (2023) | FBC | LFS | PO | MT | JK | BY |
| 3 | 7/15/20 | UPDATE TO 7th ED (2020) | FBC | PO | | | | |
| 2 | 10/09/18 | REV. DOOR PANEL OPTION | NOTE | | | | | |
| 1 | 11/15/17 | RECESSED PANEL NOTATION | | | | | | |
| | NO. DATE | | | | | | | |

DATE: 12/19/16
SCALE: N.T.S.
DWG. BY: JK
CHK. BY: LFS
DRAWING NO.: FL-21138.7
SHEET 12 OF 12